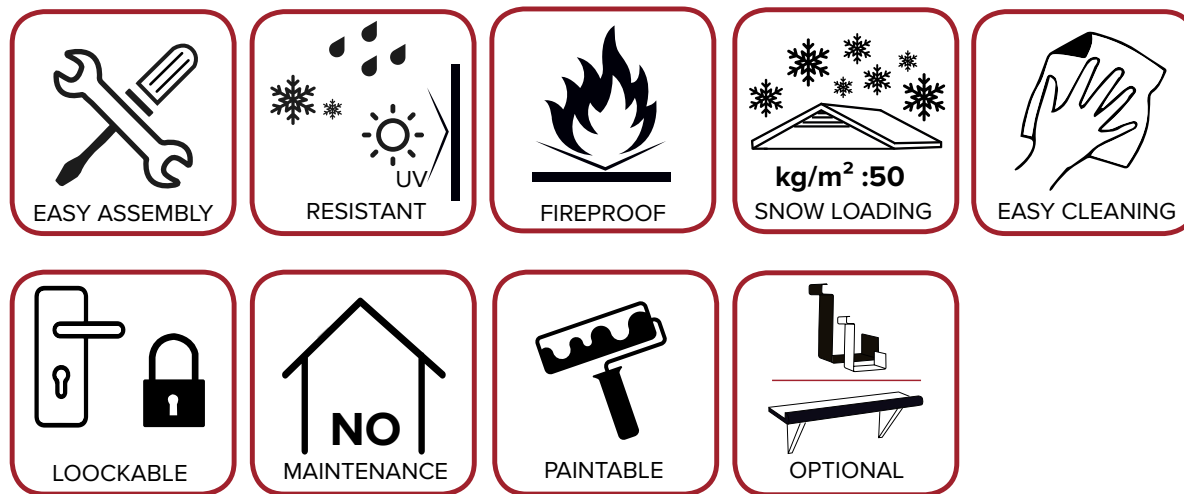
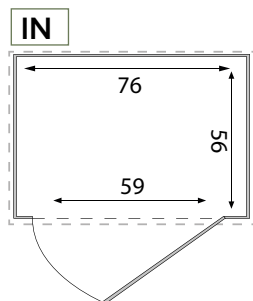
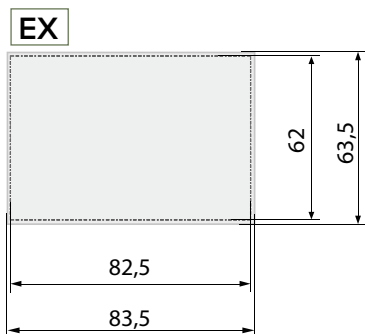


DATA SHEET / SCHEDA TECNICA

GOLEM 60

COD: V52.01.002

COD. EAN 8032605800725



	ROOF ASA	STRUCTURE PVC	FLOOR WPC	DOOR PVC	PANEL PVC
	ROOF AREA w: 83,5 d: 63,5	EX w: 82,5 d: 62 h: 190 IN w: 76 d: 56 h: 177 / 187	DIM. 1 TILE w: 40 d: 40 h: 4,5	w: 59 th: 2 h: 173	th: 2
	color: brown ral_1019	color: white ral_9010			
	n.box/item: 1 box size: 1: 21x86x182 weight: 29 kg pz/pallet 6 pallet max size: 123x86x196				UNIT OF MEASURE: CM