

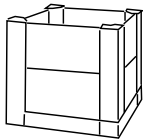
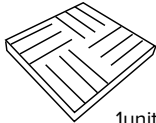
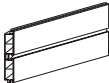
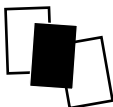



DATA SHEET / SCHEDA TECNICA

FLORÌ EVO 40

COD: V50.10.001

COD. EAN 8032605816009



		 1unit	
	STRUCTURE PVC	FLOOR WPC	PANEL PVC
	EX w: 42,5 d: 42,5 h: 38 IN w: 36 d: 36 h: 33,5	DIM. 1 TILE w: 40 d: 40 h: 4,5	th: 2
	color: white ral_9010	UNIT OF MEASURE: CM	
	n.box/item: 1 box size: 1: 63x13x51 weight: 5,4 kg pz/pallet: 48 pallet max size: 102x120x223		